



PSP12

Scroll Vacuum Pump

Powerful
Oil Free
Quiet
Pure



HIGHLIGHTS ★

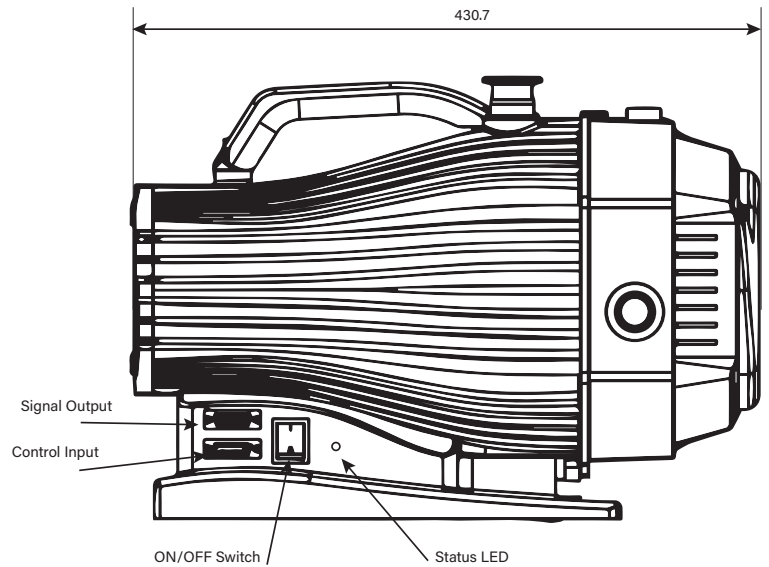
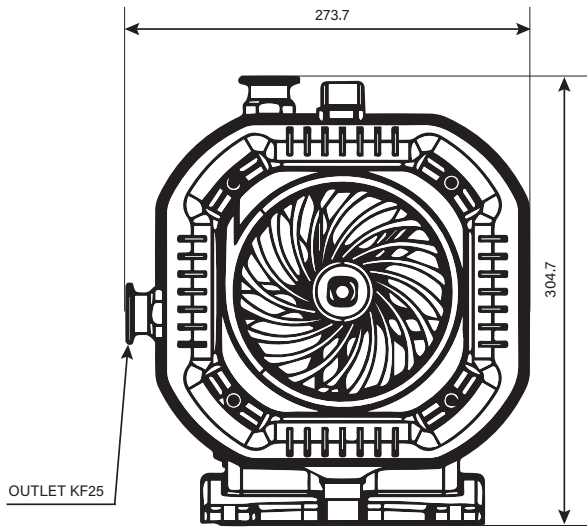


At 12 m³/h pumping speed and 8x10⁻³ mbar ultimate vacuum, the PSP12 is a great replacement for rotary vane pumps that is perfect for freeze drying

The PSP12 removes the risk of hydrocarbon contamination as it is lubricant free

Eliminates frequent laborious oil changes, oil mist filter replacements and costly waste oil disposal

At <54 dB(A) it's a whisper



SPECIFICATIONS ⚙️

Pumping Speed	12 m ³ /h
Ultimate Vacuum	8x10 ⁻³ mbar
Motor Power	400 W
Motor Speed	1800 rpm
Power Supply	110V +/-10% 50/60Hz, 230V +/-10% 50/60Hz
Dimensions D x W x H	430 x 255 x 290 mm
Noise Level dB(A)	<54
Inlet Flange	NW 25
Max Water Vapour Pumping Rate	100 gh ⁻¹
Leak Tightness	< 1x10 ⁻⁶ mbar·l/s
Weight (kg)	28
Cooling System	Air-cooled
Operating Temperature	5 – 40 °C

Pumping Curve

